

ASSEMBLY INSTRUCTIONS

COTBED

Approximate Assembly Time



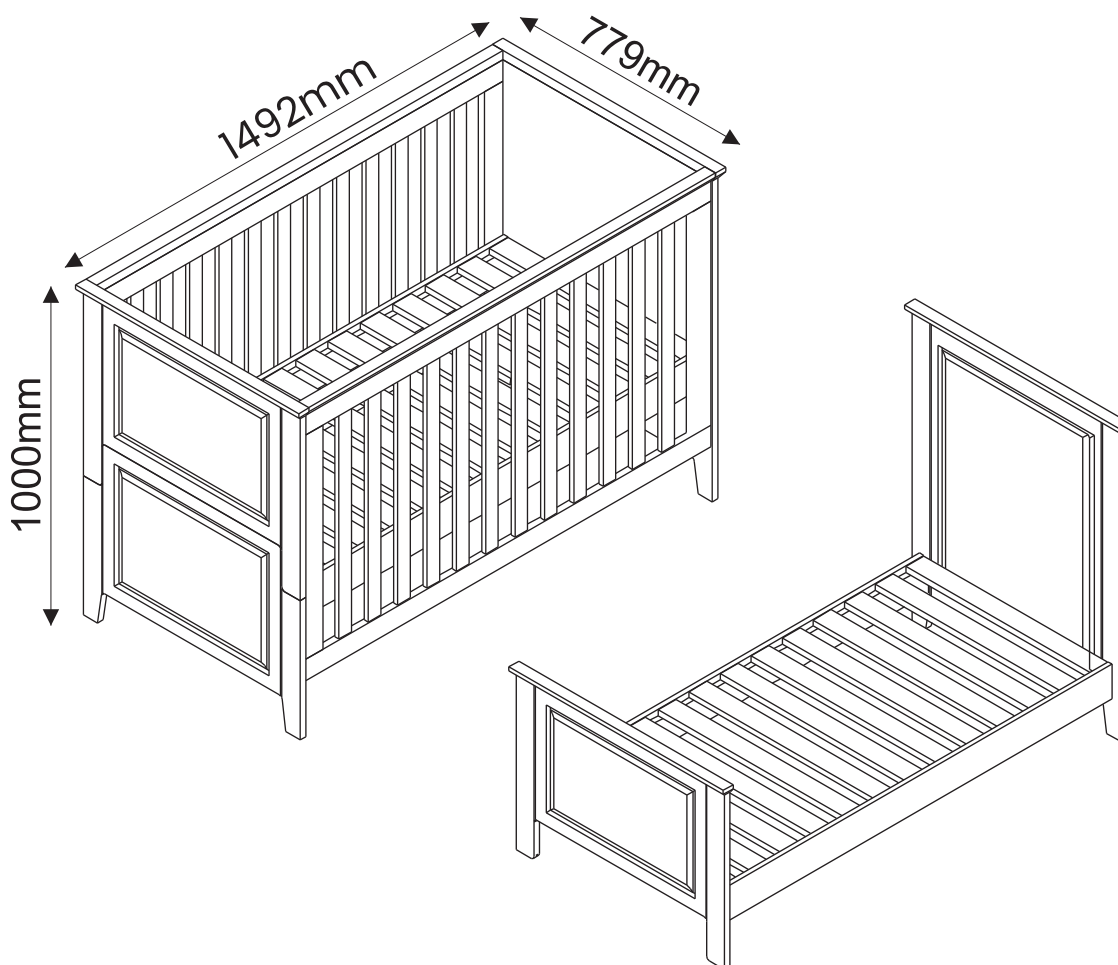
People Required to Assembly



Tools Required



IMPORTANT - READ CAREFULLY - RETAIN FOR FUTURE REFERENCE



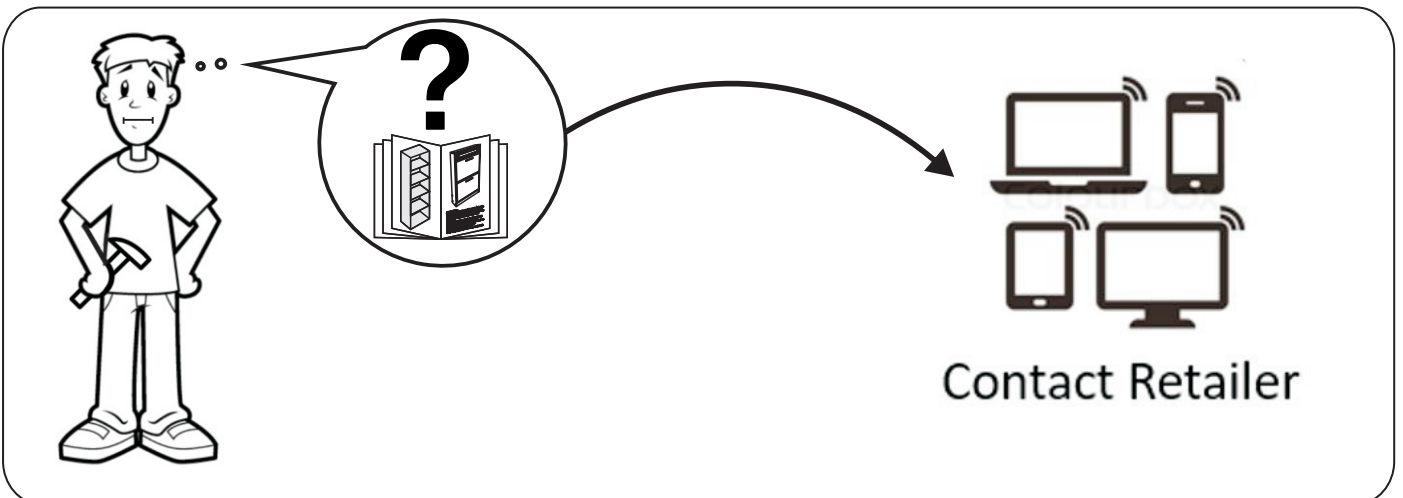
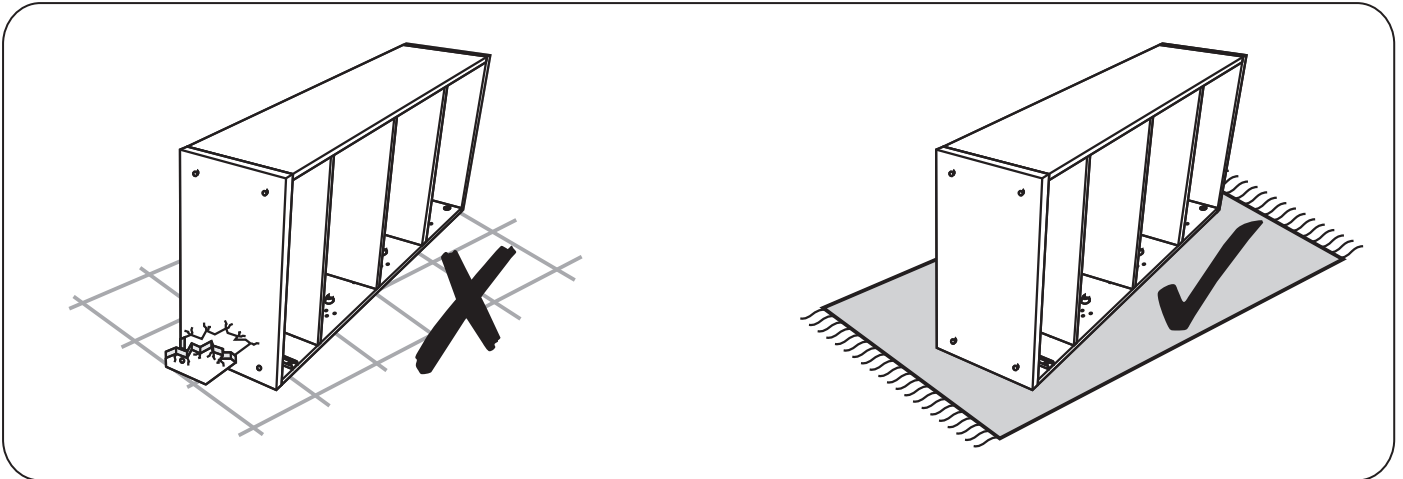
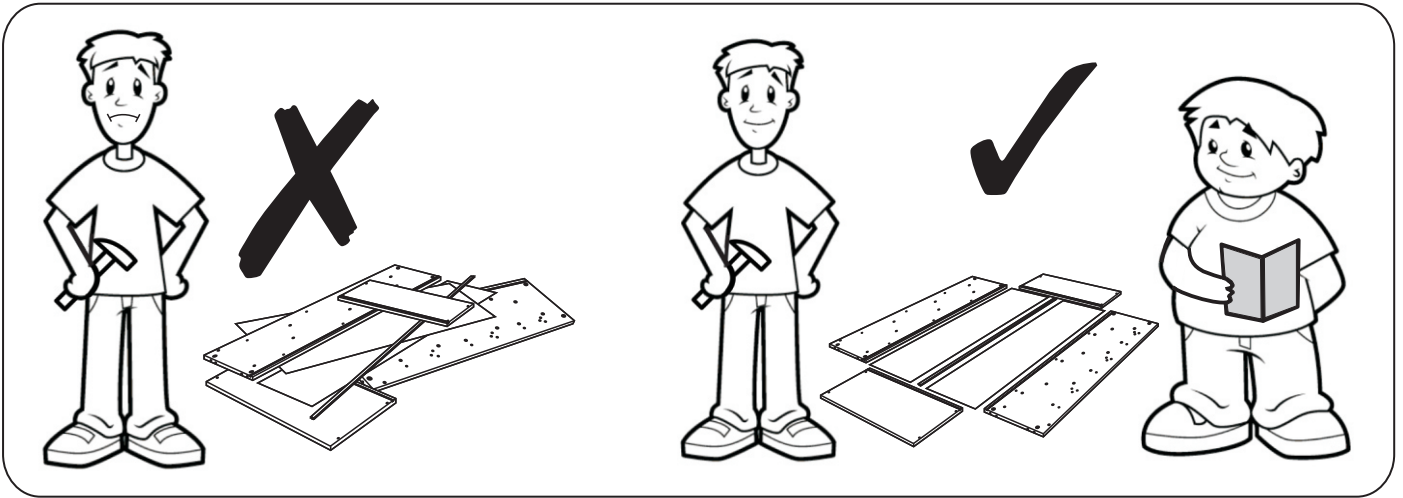
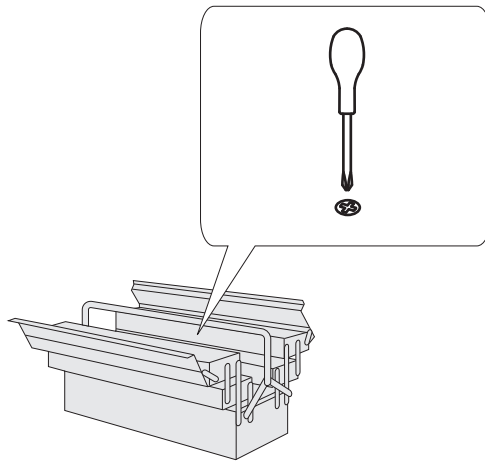
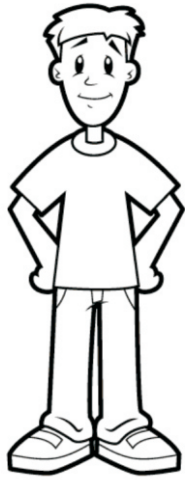
Before you start....

Please carefully unpack and lay out all of the component parts to ensure nothing is missing and to check each component for any obvious damage.

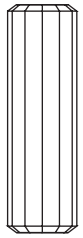
Should you identify any concerns at this stage please contact the retailer from whom this product was purchased. Please quote your order number, details of your issue, the product code, and the batch number from the cartons which will help to resolve your issue as quickly as possible.

Version Number - 1.0

Product Code - CAM020



Please check all hardware matches the list below. Should you notice any are missing please contact your retailer.



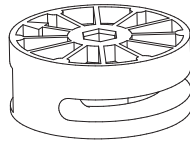
A

10x50 mm
5x



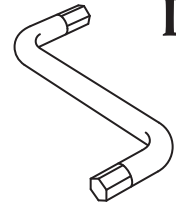
B

8x9,5 mm
4x



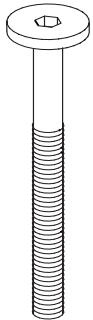
C

35x15 mm
4x



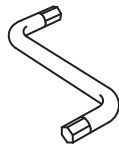
D

44x39 mm
1x



E

8x67 mm
8x



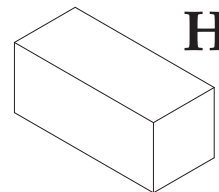
F

6 mm
1x



G

3,5x35 mm
26x



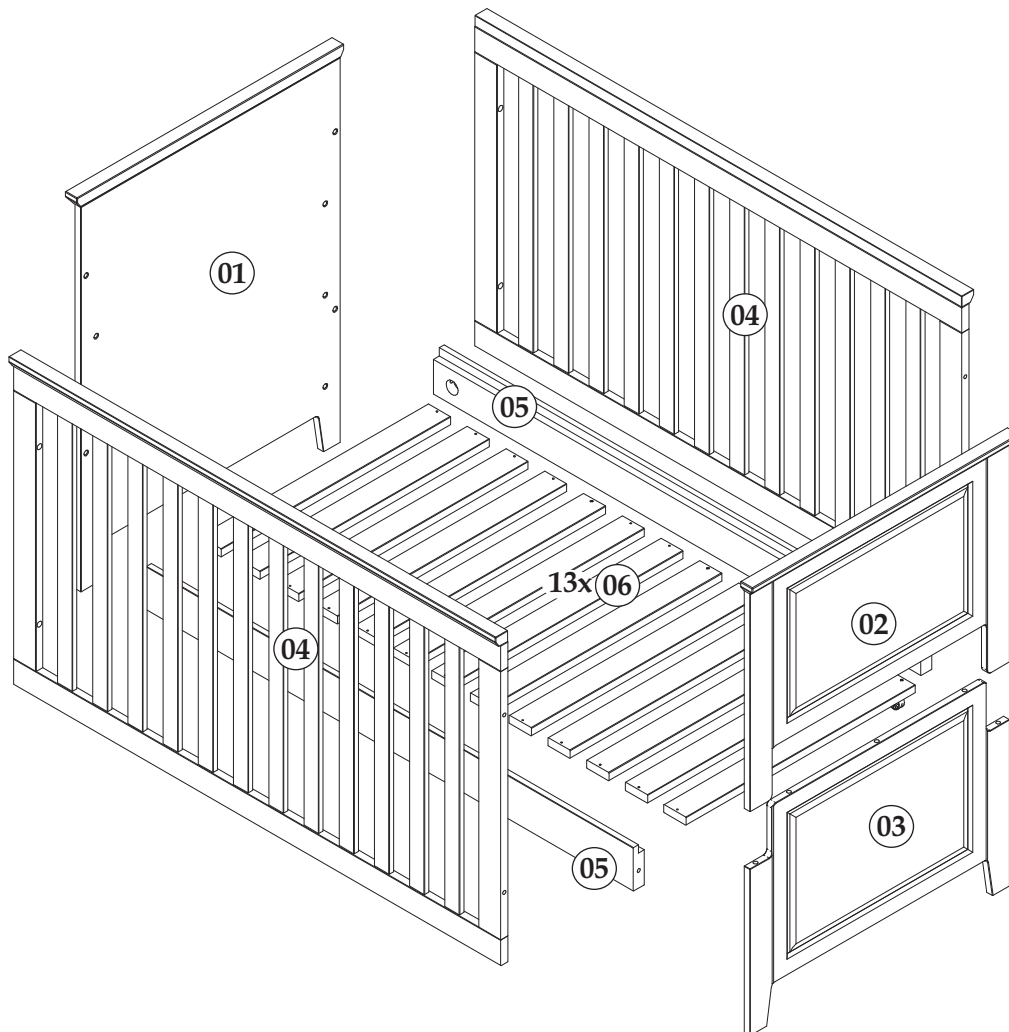
H

48x21 mm
2x

We strongly advise that you do not use Power Tools, such as drills or electric screwdrivers during the assembly as this may cause irreparable damage and will invalidate your warranty.



PARTS



Please ensure you carefully check all the pieces, should you have any concerns please contact the retailer before assembly commences. Please have your order number, details of the issue, the product code, and the batch number from the cartons as this will help us to resolve your issue much faster.

Safety Information

Warning: Do not use the cot or bed if any part is broken, torn or missing and use only spare parts approved by the manufacturer.

Warning: Do not leave anything in the cot or place the cot close to another product, which could provide a foothold or present a danger of suffocation or strangulation, e.g. strings, blind/curtain cords, etc.

Warning: Do not use more than one mattress in the cot.

Warning: Be aware of the risk of open fires and other sources of strong heat, such as electric bar fires, gas fires, etc. near the vicinity of the cot.

Warning: Do not place this child's bed near heat sources, windows or other furniture.

Warning: This Cotbed is not designed to be used as a Daybed with 3 high sides and removing one of the safety rails. This may cause significant risk to the child.

·The base can be adjusted in height in cot mode, but the lowest position is the safe stand should always be used in that position as soon as the baby is old enough to sit up.

·This product is suitable for a mattress of 1400mm in length and 700mm in width.

·The length and width of the mattress shall be no less to ensure the gap between the mattress and the sides and ends does not exceed 30mm.

·The thickness of the mattress shall be such that the internal height (surface of the mattress to the upper edge of the cot frame) is at least 500mm in the lowest position of the cot base and at least 200mm in the highest position of the cot base.

·The bed mode is suitable for a child from 18 months old to 4 years old.

·Children are likely to play, bounce, jump and climb on beds, therefore the child's bed should not be placed too close to other furniture or windows, blind cords, curtain pulls or other strings or cords. It should be placed either tight to any wall or have a gap of 300mm between the wall and the side of the bed.

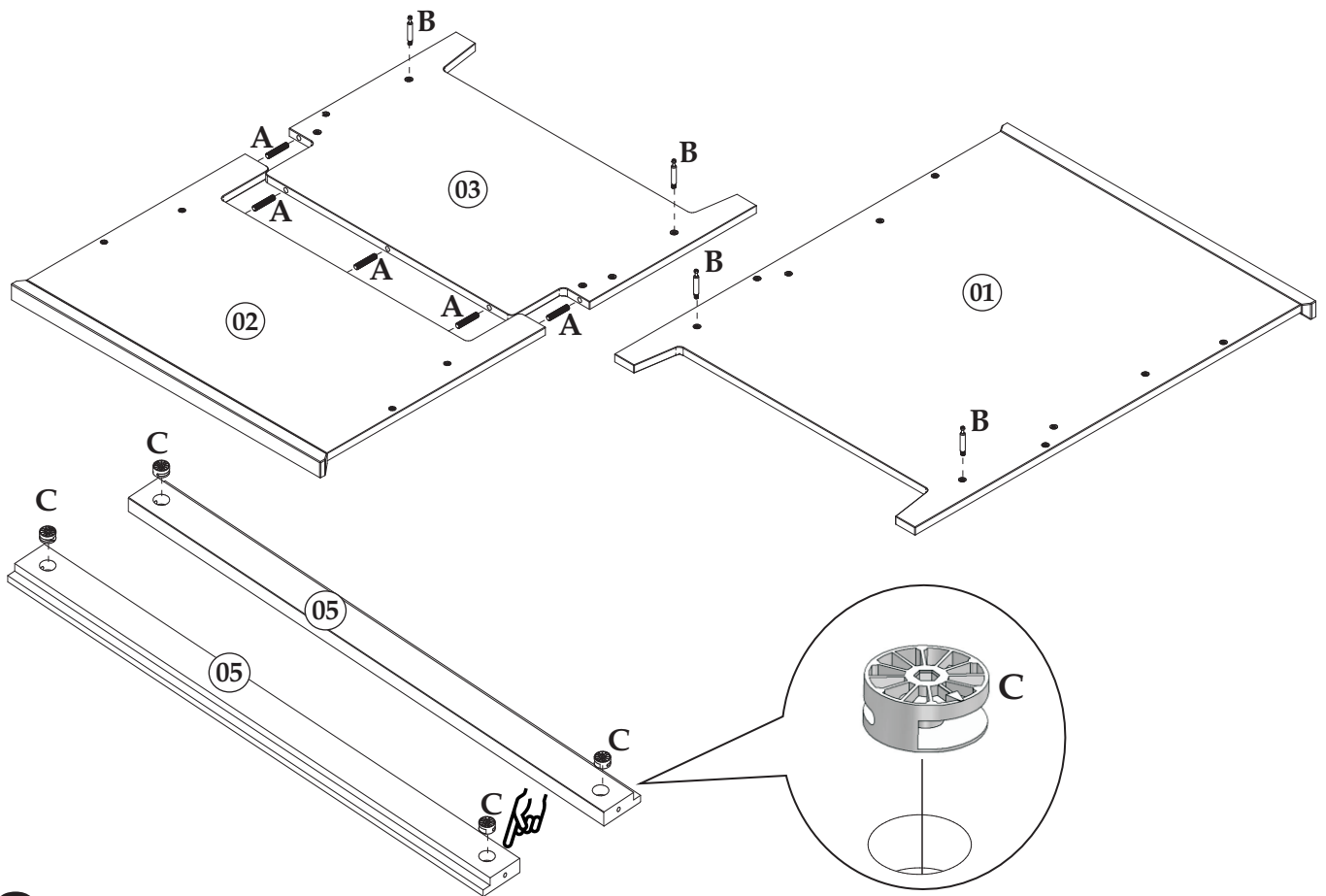
·The bed can be carefully dismantled for storage and transportation.

·To prevent injury from falls the cot should no longer be used for the child once they are able to climb out of the cot.

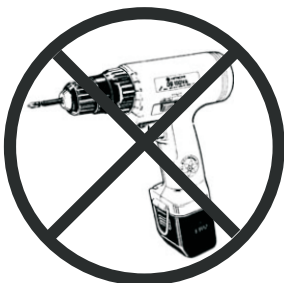
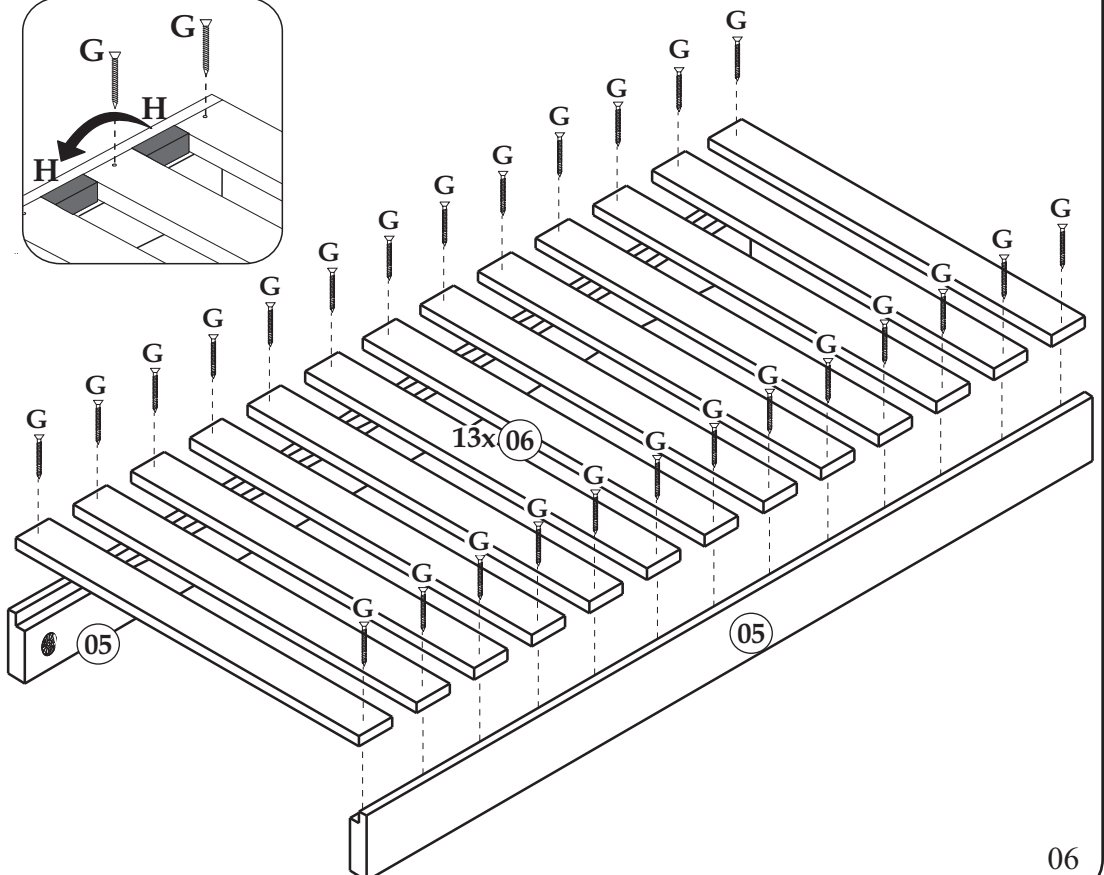
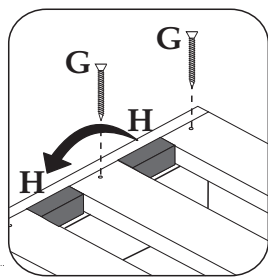
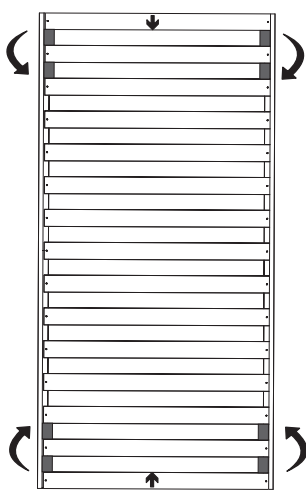
·This product conforms to: BS EN 716-1:2017 and BS 8509: 2008 + A1: 2011

·The bed can be carefully dismantled for storage and transportation but the slatted base system (slats and 2 side rails) should be left in one piece. Do not dismantle by removing the 26x Self-Tapping Screws (G).

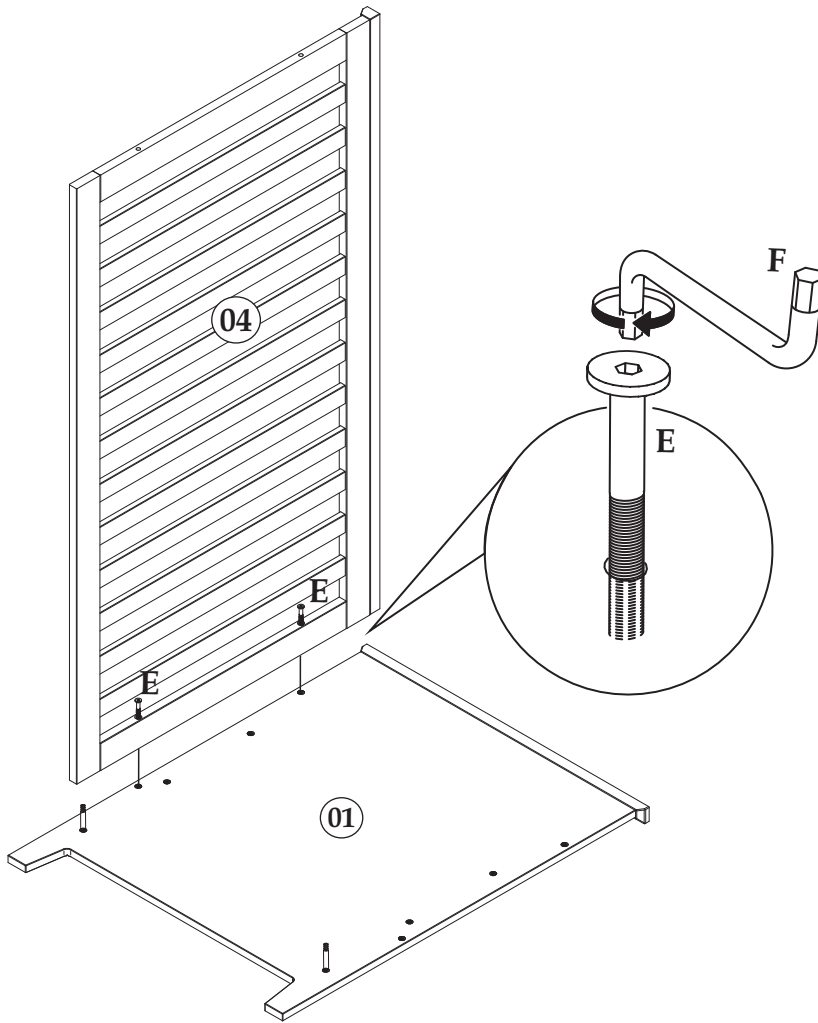
1 - COT MODE



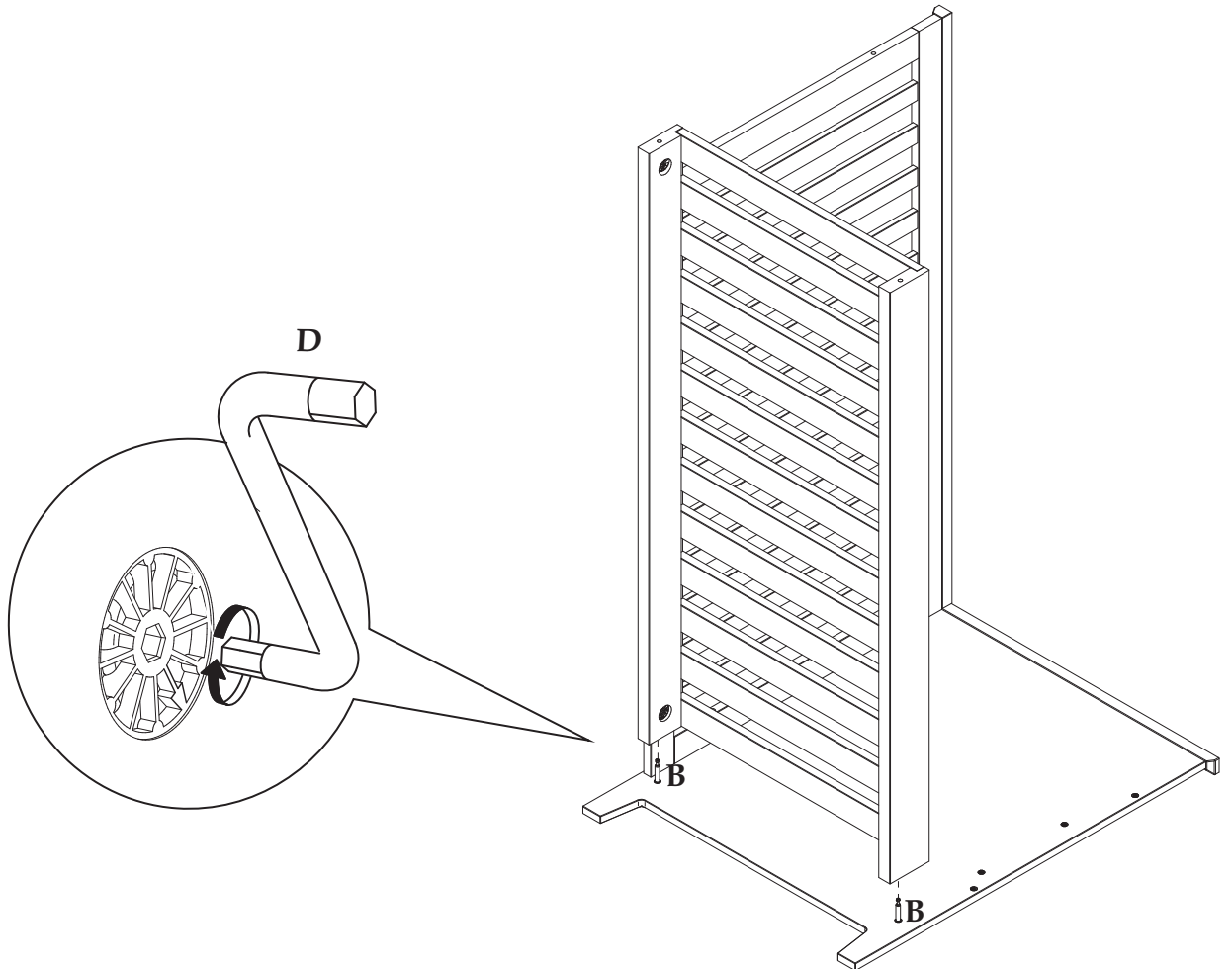
2



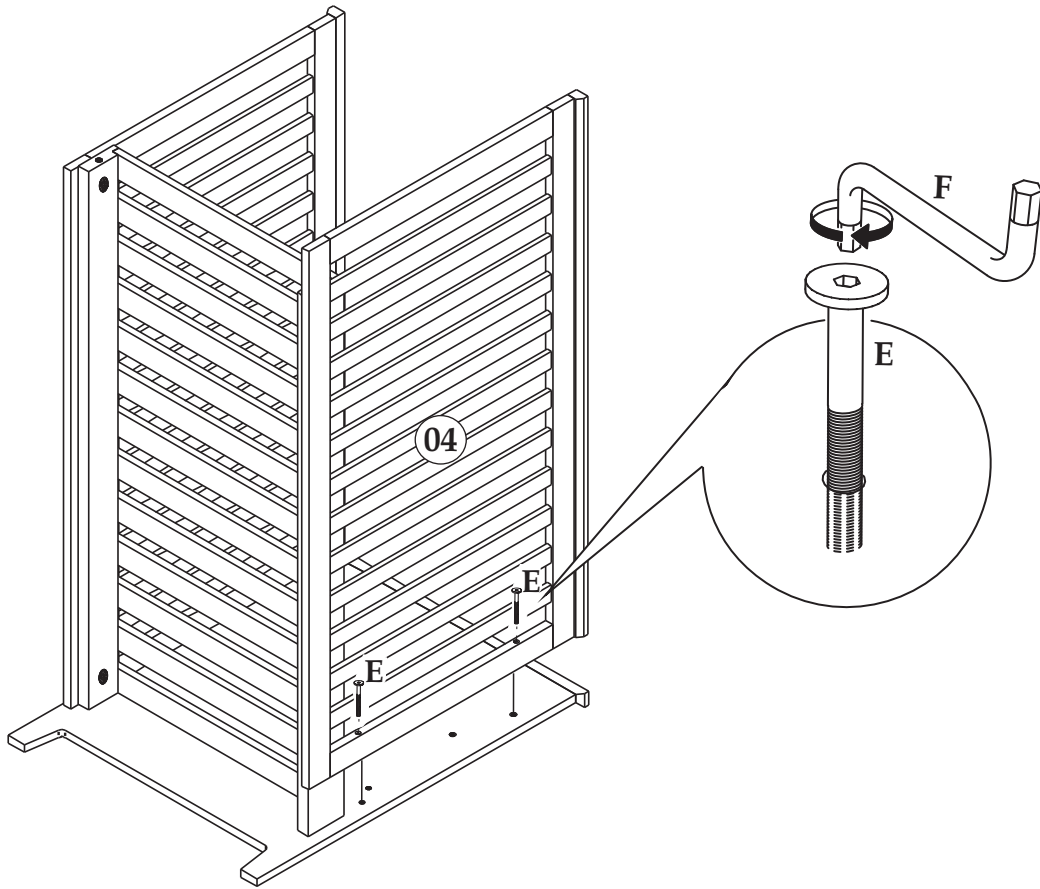
3



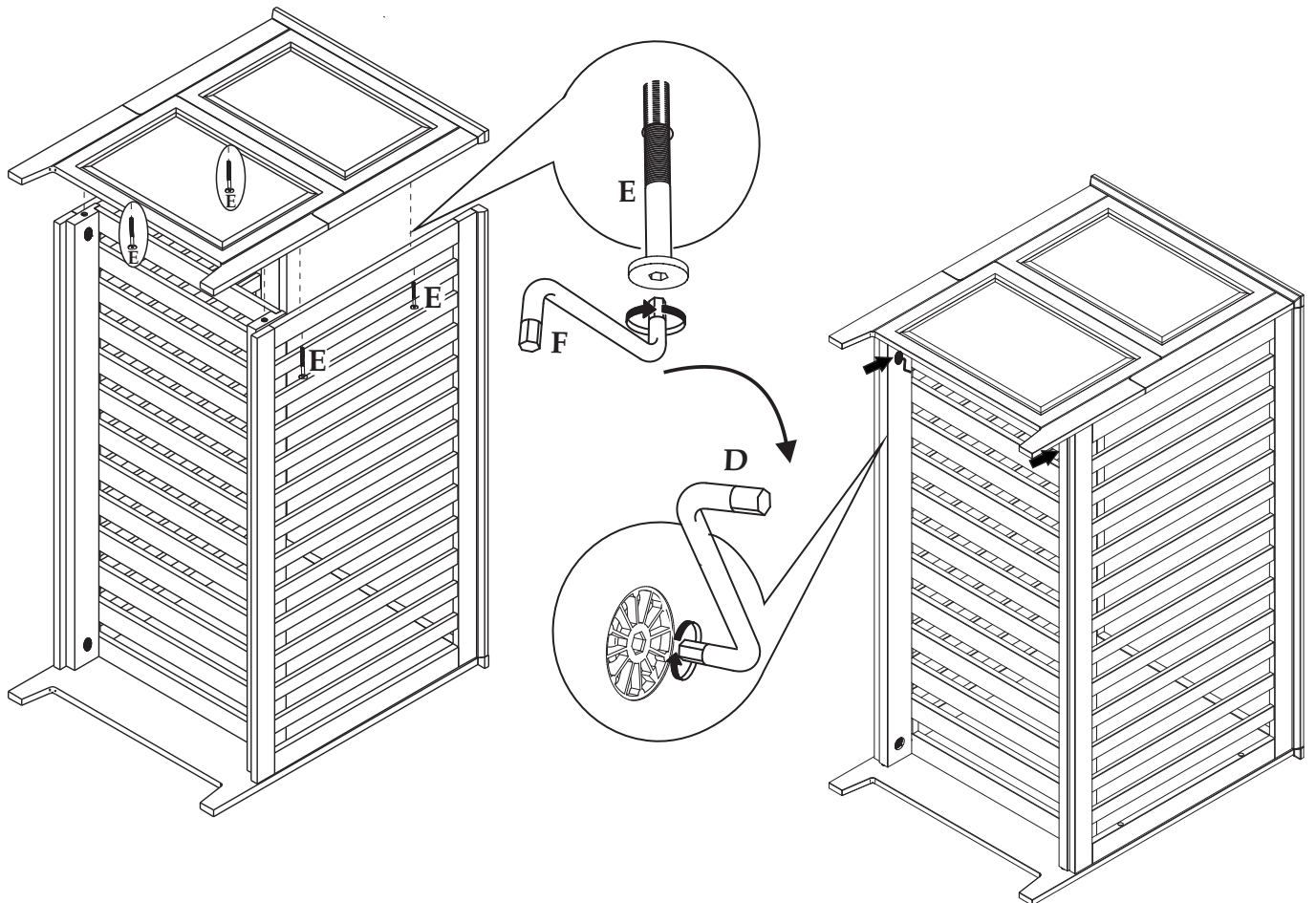
4



5

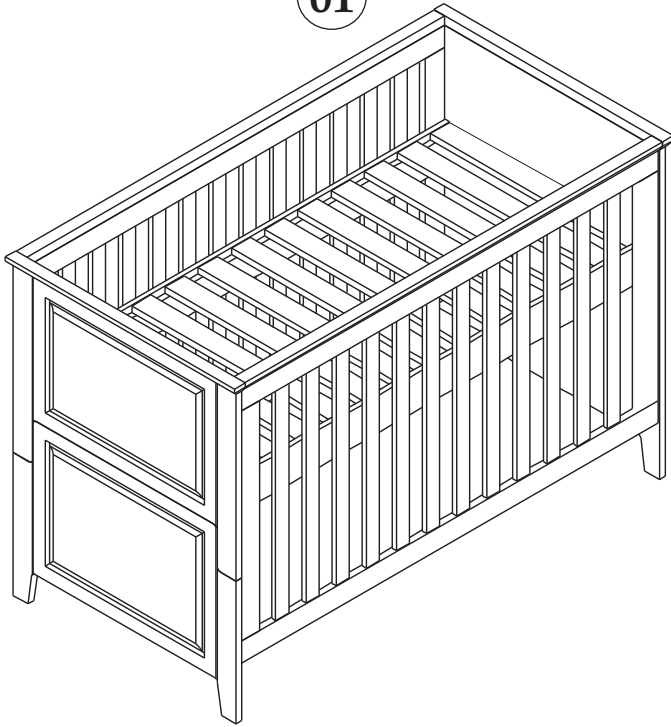


6

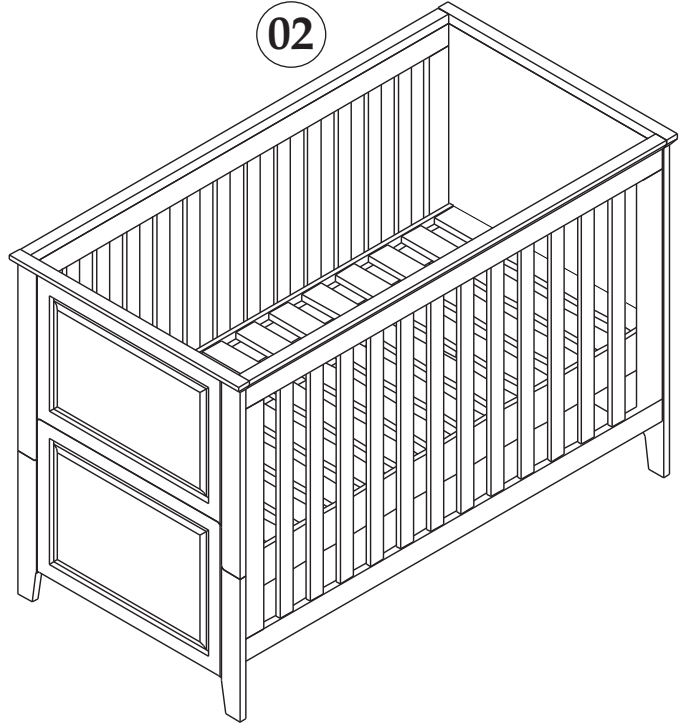


7 OPTIONS

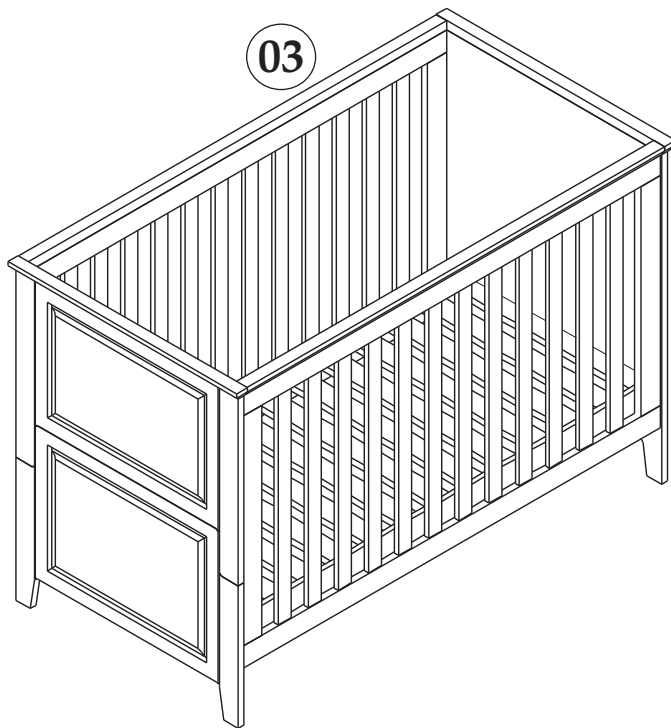
01



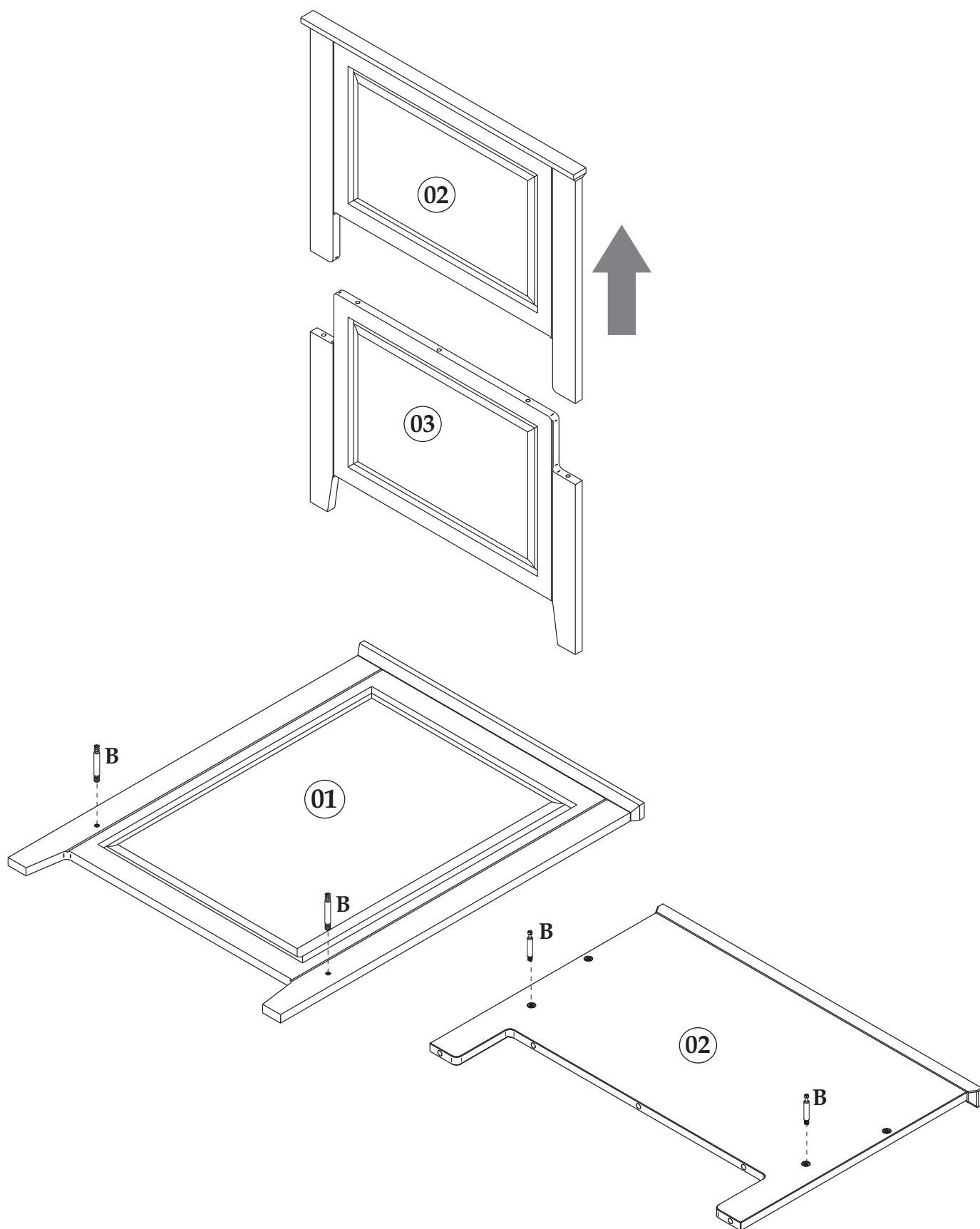
02



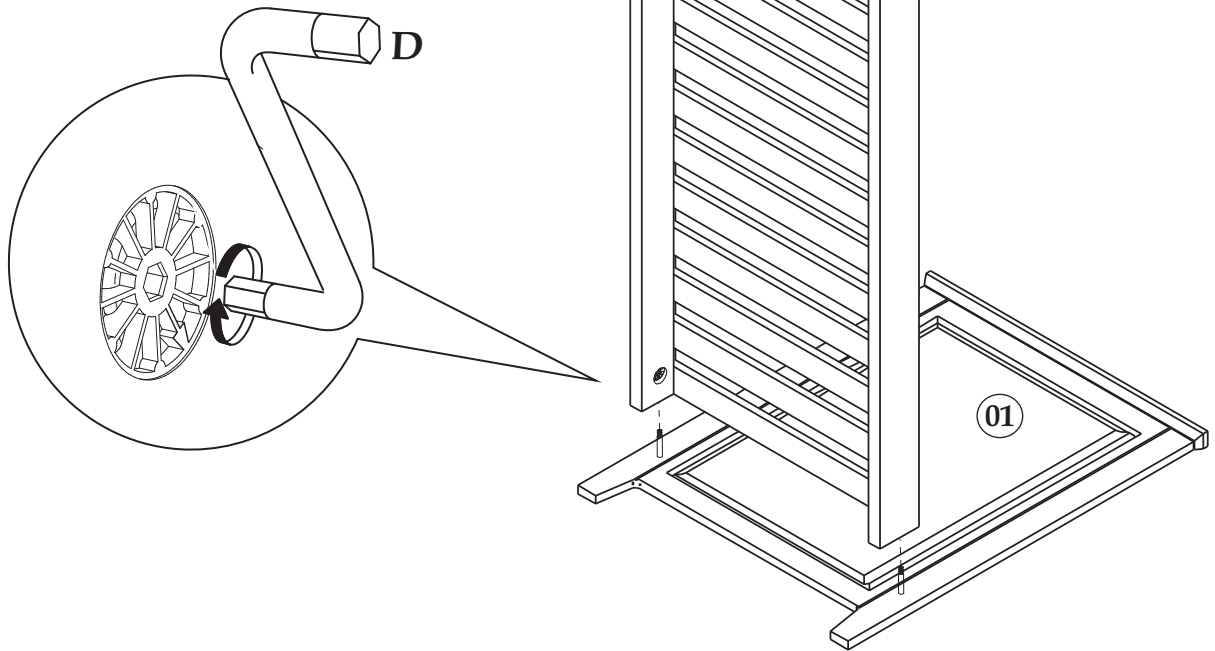
03



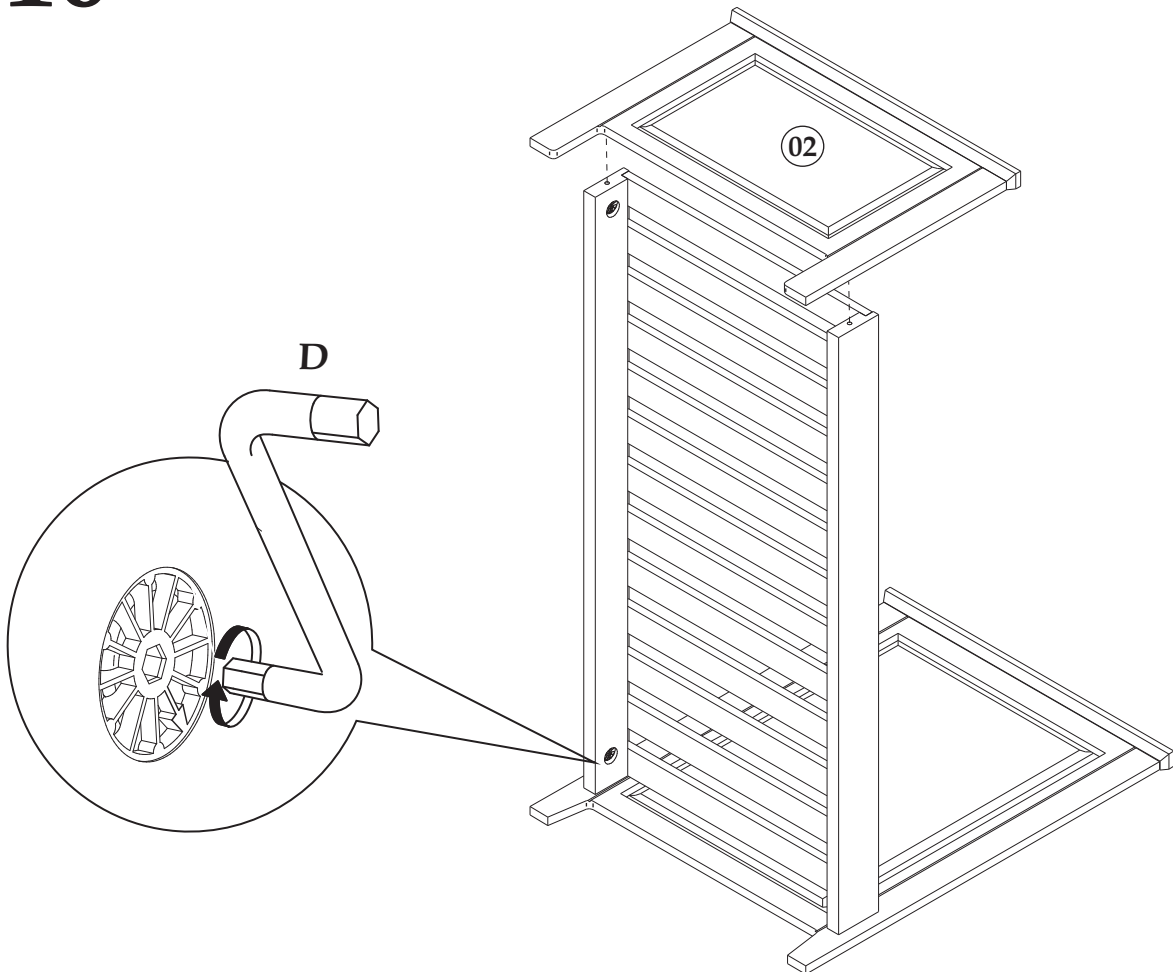
8 - BED MODE



9



10



ADDITIONAL SAFETY INFORMATION

WARNING: In order to prevent overturning the wall attachment must be used with this product.

In the interest of safety, particularly where small children are concerned, we advise securing your furniture to the wall to prevent the product tipping forward when loaded.

This product is heavy and could cause serious or fatal injury if not used or moved correctly.

The screw included in the fitting pack is only intended for fixing the safety strap to the piece of furniture.

Hardware to attach the strap/s to the wall are NOT INCLUDED. Use fixing devices suitable for the walls in your home (not included). If you are unsure what type of fixings to use, please seek further advice from your local DIY store.

GENERAL CARE & MAINTENANCE

We advise that when cleaning the product that a damp cloth is used.

Avoid the use of all household cleaners and abrasive.

Never push or drag the furniture.

Never attempt to move the furniture when fully loaded.

We advise that periodically all fixings are re-tightened.